

# SX3CV OSCILLATOR



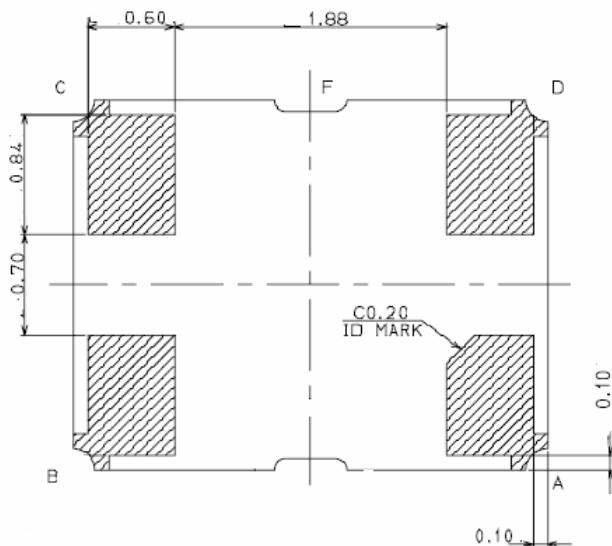
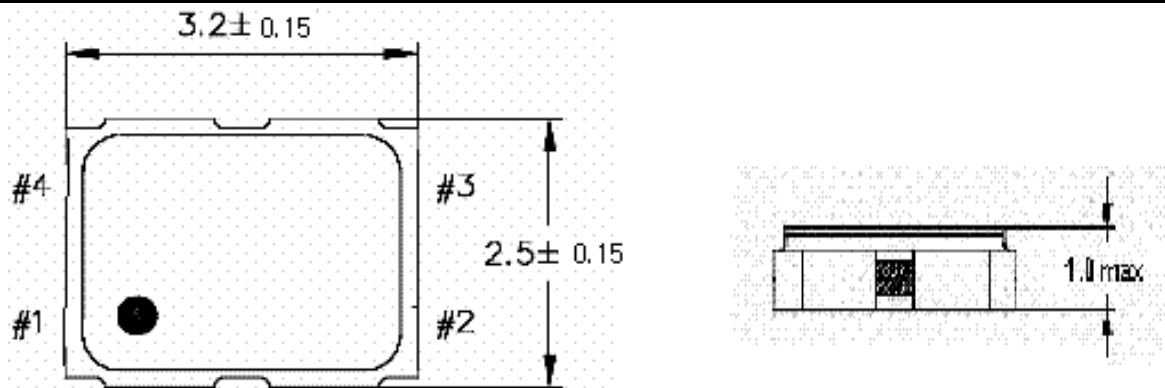
Specifications		
Parameters	Standard	Options
Frequency range	12.0 MHz – 50.0 MHz	
Logic output	HCMOS/TTL compatible	TTL only
Frequency stability		
Overall	+/- 50,0 ppm	+/-15 ppm best possible
Initial at 25°C	Please specify	
Temperature		
vs supply voltage change		
vs load change		
Aging first year		
Aging over .... Years		
Operating temperature	0° C ~ +70°C	-20°C ~ +70°C -40°C ~ +85°C Other on custom request
Storage temperature	-40°C ~ +85°C	-55°C ~ +125°C
Supply voltage	5,0 V ±5% or 3,3 V ±5%	1,8 V ; 2,5 V ; 2,8 V Other on custom request
Current	15 mA max. 20 mA max	
0,500 MHz - 29,999 MHz		
30,000 MHz - 52,000 MHz		
Load	15 pF	Other - dependent of logic output
Rise/fall time	10 ns max. 6 ns max.	
0,500 MHz - 29,999 MHz		
30,000 MHz - 52,000 MHz	Other on custom request	
Duty cycle	40/60 %	45/55 % Other on custom request
Phase noise	Please specify ( if required )	
Harmonics		
Sub-harmonics		
Jitter		
Linearity	± 10% max.	Other on custom request
Frequency tuning range	± 50 ppm - ± 100 ppm	Other on custom request
Pulling slope	Positive	Other on custom request
External control voltage	+ 1,65 VDC ±1,65 VDC (3,3V) +2,5 VDC ±2,5 VDC (5,0V)	Other

# SX3CV OSCILLATOR

## Specifications

Parameters	Standard	Options
Start-up time	10 ms max.	Other on custom request
Tristate	no tristate	
Marking	Freq + Code + Week +Year	
Package	SX3 4 pad	

## Drawing



Pin configuration	#1: Voltage control	
	#2 : GND	
	#3 : Output	
	#4 : Vcc	